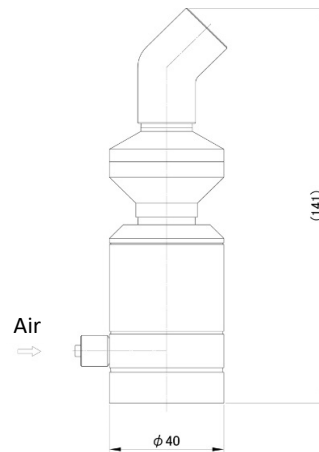


# Micro Fog Unit Prototype model No. **【MF1DTR21】** Characteristics data



Spray liquid: Purified water

Air pressure (kPa)	Water pressure	Air volume (NL/min)	Flow rate of atomization (ml/min)	Average diameter of the particles (μm)		Spray distance (mm)
				SMD	D50	
10	Syphon	0.54	0.10	8.82	12.74	200
20	Syphon	0.70	0.12	6.84	10.00	300
30	Syphon	0.80	0.16	5.37	7.71	400
40	Syphon	0.89	0.20	4.16	6.34	450
50	Syphon	0.98	0.26	4.06	6.13	500
60	Syphon	1.05	0.32	4.09	5.41	500
70	Syphon	1.14	0.34	3.44	4.71	600
80	Syphon	1.23	0.36	3.58	4.20	600
90	Syphon	1.32	0.38	3.43	3.93	600
100	Syphon	1.39	0.40	2.36	3.36	700
120	Syphon	1.54	0.46	2.09	2.80	700
150	Syphon	1.78	0.48	1.95	2.54	700

